



SPECIFICATION

Voltage Transformer

22000sqr-110sqr/220 V.

40 VA. CL 1

500 VA. VR 10 % .50 Hz

ASIATRAFO CO.,LTD.

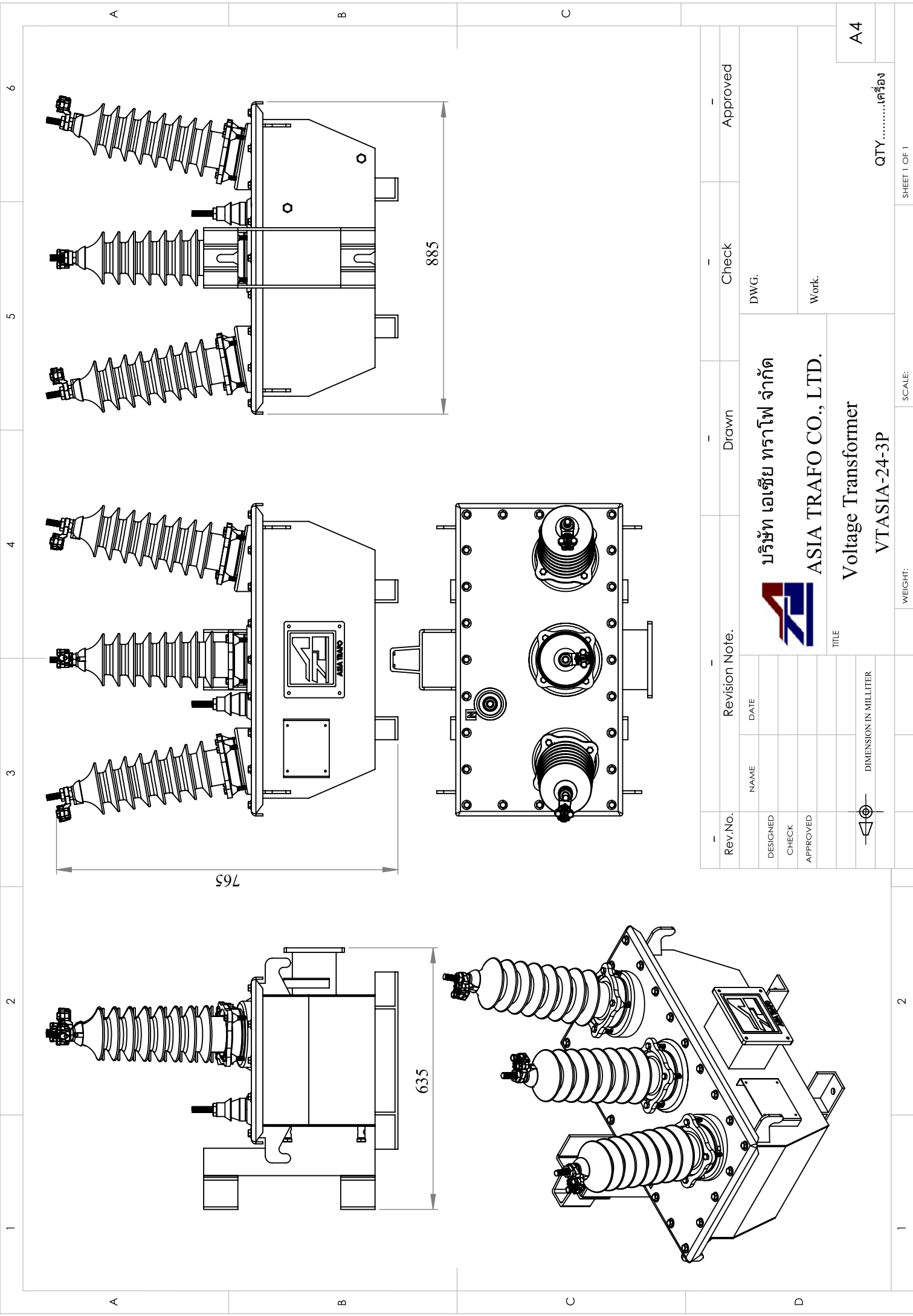
88/99 หมู่ 12 ซ. สุนทรวิภาศ อ.บางพลี - ตำหรั ต.บางปลา อ.บางพลี จ.สมุทรปราการ 10540 Tel. (02) 707-7940-2 Fax. (02) 707-7943

88/99 Moo.12 Soi sunthonwipark Bangplee -tumroo Road Bangpra Bangplee samuthprakarn 10540 Tel. (02) 707-7940-2 Fax. (02) 707-7943



ASIA TRAF0 CO.,LTD

Specifications of Oil Immersed Voltage Transformer		
Manufacturer	Asia Trafo / Thailand	
Product type / Model	Outdoor Installation , Oil Immersed Type VTASIA-22-3P / OVT303375477	
Reference Standard	Latest IEC 61869-3	
No. Of Phase	3 Phase	
Connection Winding	YNyn0	
Highest system	V	24000
Rated frequency	Hz	50
Rated primary voltage	V	$22000/\sqrt{3}$
Rated secondary voltage		
For Measuring	V	$110/\sqrt{3}$
For Powersupply	V	220
Insulations Level		
1) Basic Impulse Withstand Voltage	kVp	125
2) Power Frequency Withstand Voltage		
: On Primary winding	kVrms	50
: On Secondary winding	kVrms	3
Voltage factor	1.2 cont/1.9 , 30 sec	
Rated Burden & Accuracy Class (measuring)	40 VA CL 1.0	
Rated Burden & Accuracy Class (Powersupply)	500 VA Voltage Regulation $\leq 10\%$	
Polarity	Subtractive	
Insulation class	A	
Maximum temperature rise	K	60
Maximum ambient temperature	$^{\circ}\text{C}$	40
Relative humidity	%	100
Routine tests	According to IEC 61869-3	
Installation	Below 1,000 m. sea level	
Primary terminal / Primary connector	Solderless clamp type connector	
Secondary Connector	Brass Stud Type / M6	
Earth Terminal	for $50-95 \text{ mm}^2$ Conductor.	
Creepage Distance Of Insulator	mm.	$\geq 600 \text{ mm.}$
Total Weight (approximate)	kg	≤ 190
Over All Dimensions	See Attached Drawing	



Rev.No.	Revision Note.		Drawn	Check	Approved
DESIGNED	NAME	DATE	DWG.		
CHECK			Work.		
APPROVED			A4		
DIMENSION IN MILLITER		บริษัท เอเชีย ทราฟโฟ จำกัด ASIA TRAFKO CO., LTD. Voltage Transformer VTASIA-24-3P		QTY.....เครื่อง	
		WEIGHT:	SCALE:	SHEET 1 OF 1	