



# **SPECIFICATION**

**Voltage Transformer**

**50 VA. 50 Hz. CL 0.5**

**22000sqr-110sqr**

**/110sqr0BD V.**

ASIATRAFO CO.,LTD.

---

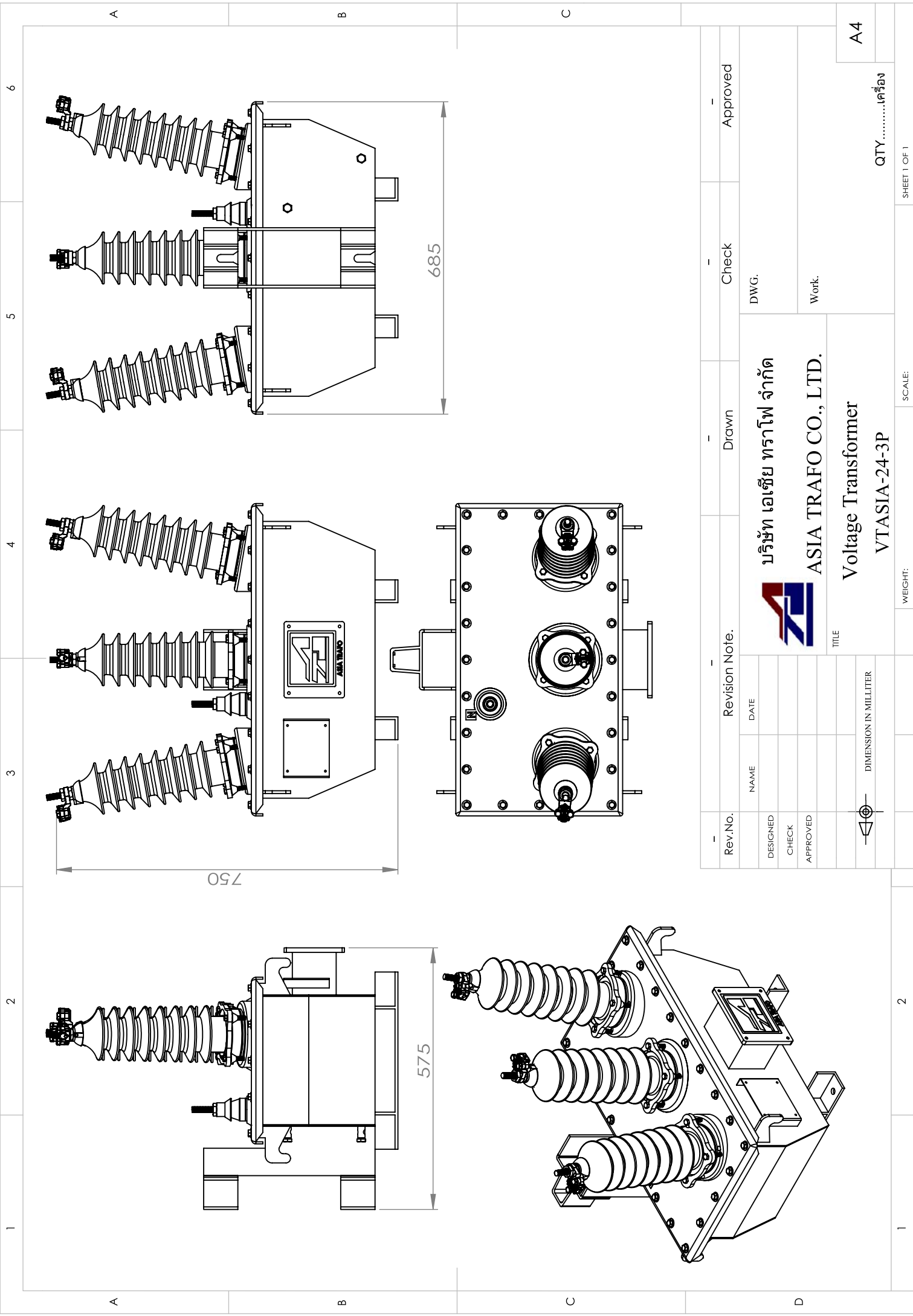
88/99 หมู่ 12 ซ. สุนทรวิภาศ อ.บางพลี - ตำหนุ ต.บางปลา อ.บางพลี จ.สมุทรปราการ 10540 Tel. (02) 707-7940-2 Fax. (02) 707-7943

88/99 Moo.12 Soi sunthonwipark Bangplee -tumroo Road Bangpra Bangplee samuthprakarn 10540 Tel. (02) 707-7940-2 Fax. (02) 707-7943



# ASIA TRAF0

Specifications of Oil Immersed Voltage Transformer		
Manufacturer	Asia Trafo / Thailand	
Product type / Model	Outdoor Installation , Oil Immersed Type VTASIA-24 / AVT303366300	
Reference Standard	Latest IEC 61869-3	
No. Of Phase	3 Phase	
Connection Winding	YN0 yn0 & Broken Delta	
Highest system	V	24000
Rated frequency	Hz	50
Rated primary voltage	V	22000/ $\sqrt{3}$
Rated secondary voltage		
For Measuring (yn0)	Vph.	110/ $\sqrt{3}$
For Protection (Broken Delta)	Vph./Vda-dn	110/ $\sqrt{3}$ / 0
Insulations Level		
1) Basic Impulse Withstand Voltage	kVp	125
2) Power Frequency Withstand Voltage		
: On Primary winding	kVrms	50
: On Secondary winding	kVrms	3
Voltage factor	1.2 cont/1.9 , 30 sec	
Rated Burden & Accuracy Class (measuring)	50 VA CL 0.5	
Rated Burden & Accuracy Class (Protection)	50 VA CL .3P	
Polarity	Subtractive	
Insulation class	A	
Maximum temperature rise	K	60
Maximum ambient temperature	°C	40
Relative humidity	%	100
Routine tests	According to IEC 61869-3	
Installation	Below 1,000 m. sea level	
Primary terminal / Primary connector	Solderless clamp type connector	
Secondary terminal	Brass Stud Type / M6	
Earth Terminal	for 50-95 mm <sup>2</sup> Conductor.	
Creepage Distance Of Insulator	mm.	≥ 25 mm./ kV
Total Weight (approximate)	kg	160
Over All Dimensions	See Attached Drawing	



Rev.No.	Revision Note.		Drawn	Check	Approved
DESIGNED	NAME	DATE	DWG.		
CHECK	บริษัท เอเชีย ทราฟโฟ จำกัด				
APPROVED	ASIA TRAFKO CO., LTD.				
TITLE			Work.		
Voltage Transformer			A4		
VTASIA-24-3P			QTY.....เครื่อง		
DIMENSION IN MILLITER			SHEET 1 OF 1		
WEIGHT:			SCALE:		