



SPECIFICATION

Voltage Transformer

500 VA. 50 Hz. CL 3

22000-230 V.

ASIATRAFO CO.,LTD.

88/99 หมู่ 12 ซ. สุนทรวินิภัต ถ.บางพลี - ตำหนุ ต.บางปลา อ.บางพลี จ.สมุทรปราการ 10540 Tel. (02) 707-7940-2 Fax. (02) 707-7943

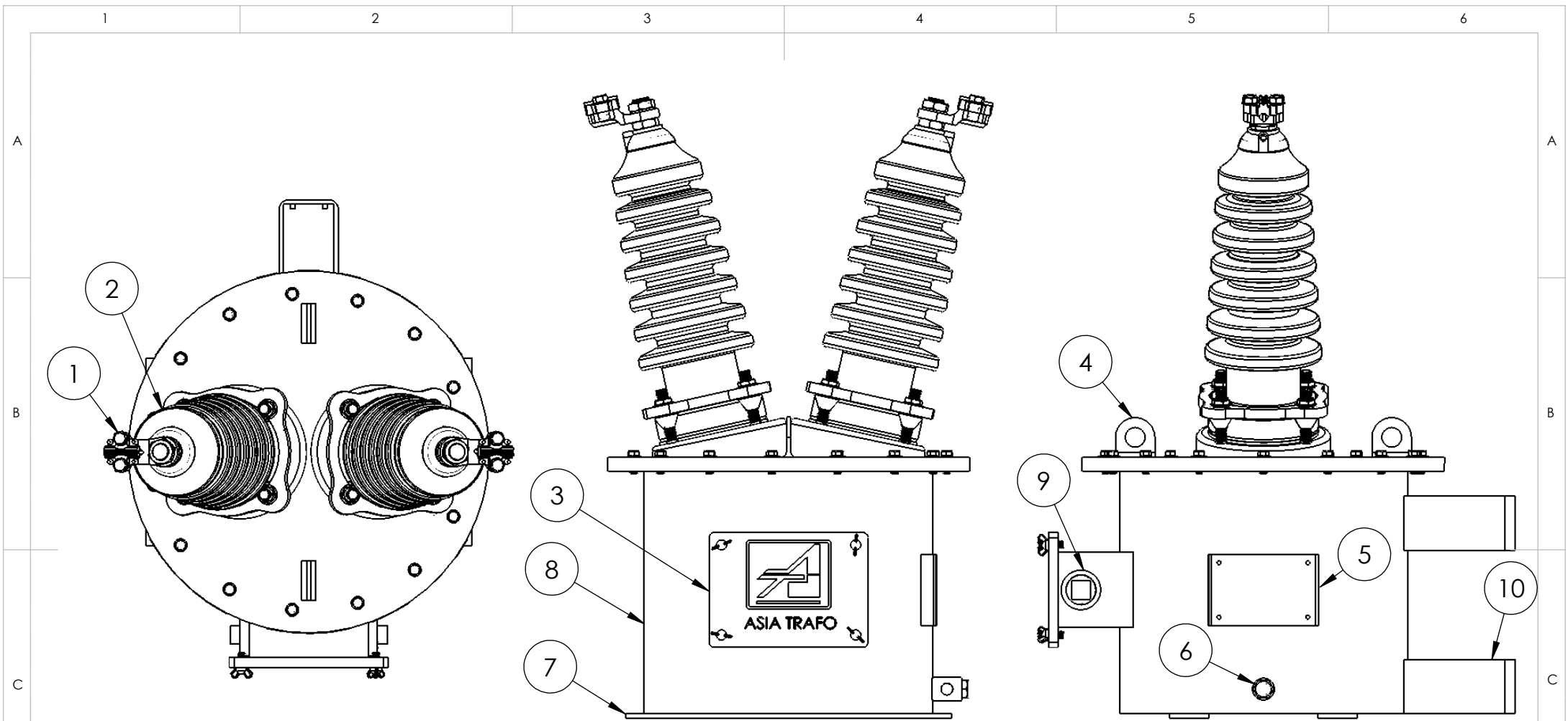
88/99 Moo.12 Soi sunthonwipark Bangplee -tumroo Road Bangpra Bangplee samuthprakarn 10540 Tel. (02) 707-7940-2 Fax. (02) 707-7943



ASIA TRAF0 CO.,LTD

Specifications of Oil Immersed Voltage Transformer

Make and country of origin	ASIA TRAF0 CO.,LTD / Thailand	
Product type / Model	Outdoor Installation , Oil Immersed Type VTASIA-24 / OVT301207500	
Manufacturer's name and technical data of insulator	Hunan Liling Wantong Electrical Ceremics Manufacturing Co.,Ltd /China In accordance with the latest IEC233	
Reference Standard	IEC 61869-3	
Rated voltage	kV.	24
Rated primary voltage	V	22000
Rated secondary voltage	V	230
Rated frequency	Hz.	50
Polarity	Subtractive	
Rated Output	VA.	Burden 500 VA
Limits of error	According IEC 61869-3	
Accuracy Class	3	
One-minute power frequency withstand voltage,on		
: Primary winding	kV(r.m.s.)	50
: Secondary winding	kV(r.m.s.)	3
Impulse withstand voltage	kV(peak)	125
Rated voltage factor	-	1.2 Continuous, 1.5 at 30 sec
Insulation class	A	
Maximum temperature rise of winding	K	60
Maximum ambient temperature	degree C	40
Relative humidity	%	100
Primary terminal connector	Solderless clamp type connector 35-95 mm ²	
Secondary terminal connector	Stud Type / M6	
Earth Terminal	for 50-95 mm ² Conductor.	
Creepage distance (minimum)	mm.	600
Total Weight	kg.	≤ 55
Routine tests	According IEC 61869-3	
Over All Dimensions	See Attached Drawing	



ITEM NO.	DESCRIPTION	QTY.
1	HV TWEMINAL CONNECTOR	2
2	HV BUSHING WITH INSULATION CAP	2
3	LV BUSHING WITH CABLE BOX	2
4	EYES BOLTS	2
5	NAME PLATE	1
6	GROUND TERMINAL	1
7	BASE	2
8	TANK	1
9	FOR 1 INCH IPS CONDUIT CONNECTOR	2
10	SUPPORTLUG	2

Rev.No.	Revision Note.	Drawn	Check	Approved
DESIGNED	NAME	DATE	DWG. OVT301207500 Work.	
CHECK				
APPROVED				
DIMENSION IN MILLITER			ASIA TRAF0 CO., LTD. VOLTAGE TRANSFORMER 500 VA 22 kV - 230 V. CLASS 3.0	
WEIGHT:		SCALE:		QTY.....เครื่อง SHEET 1 OF 3