



SPECIFICATION

Voltage Transformer

50 VA. 50 Hz. CL 0.5

22000-110 V.

ASIATRAFO CO.,LTD.

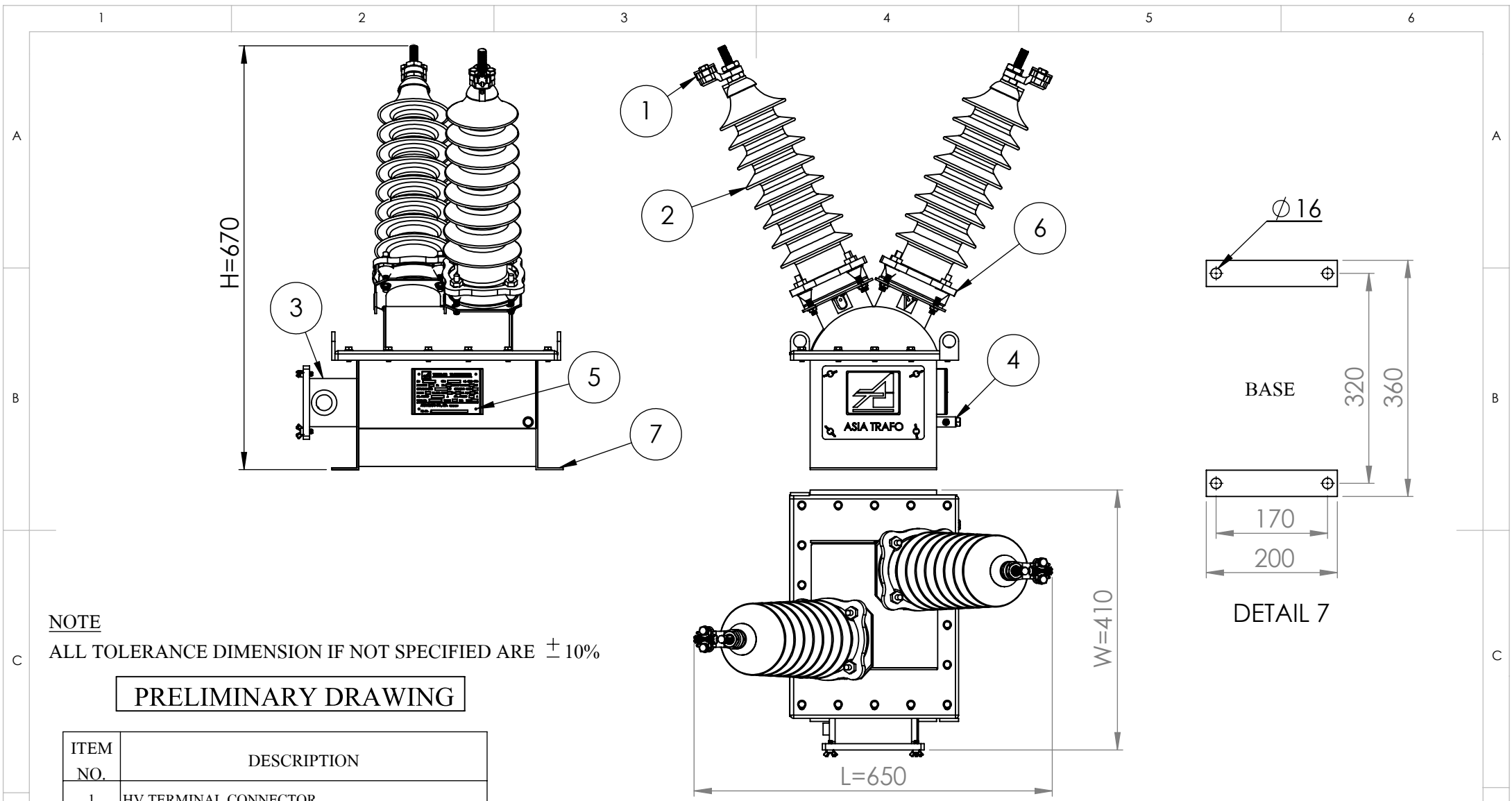
88/99 หมู่ 12 ซ. สุนทรวิภาต ถ.บางพลี - ตำบล ต.บางปลา อ.บางพลี จ.สมุทรปราการ 10540 Tel. (02) 707-7940-2 Fax. (02) 707-7943

88/99 Moo.12 Soi sunthonwipark Bangplee -tumroo Road Bangpra Bangplee samuthprakarn 10540 Tel. (02) 707-7940-2 Fax. (02) 707-7943



ASIA TRAF0 CO.,LTD

Specifications of Oil Immersed Voltage Transformer		
Manufacturer	Asia Trafo CO.,LTD / Thailand	
Product Type/Mode	Outdoor Installation , Oil Immersed Type ASIAVT-24/OVT301106300	
Reference Standard	IEC 61869-3 (Refer IEC 60044-2)	
No. Of Phase	Single phase with double Bushing	
Highest System Voltage	kV	24
Rated frequency	Hz	50
Rated primary voltage	V	22000
Rated secondary voltage	V	110
Insulations Level		
1) Basic Impulse Withstand Voltage	kV (peak)	125
2) Power Frequency Withstand Voltage		
: On Primary winding	kV (r.m.s.)	50
: On Secondary winding	kV (r.m.s.)	3
Voltage factor	1.2 Continuous, 1.5 at 30 sec	
Voltage ratio	200:1	
Rated Output	Burden 50 VA , Accuracy Class 0.5	
Polarity	Subtractive	
Insulation class	A	
Maximum temperature rise	K	60
Maximum ambient temperature	°C	40
Relative humidity	%	≥ 94
Installation	Below 1,000 m. sea level	
Primary Terminal Connector	Solderless clamp type connector 35-95 mm ²	
Secondary Terminal Connector	Stud Type / M6	
Earth Terminal	for 35-50 mm ² ACSR Conductor.	
Creepage Distance Of Insulator	mm.	≥ 600 mm.
Total Weight	kg	< 55
Over All Dimensions	See Attached Drawing	



NOTE
ALL TOLERANCE DIMENSION IF NOT SPECIFIED ARE $\pm 10\%$

PRELIMINARY DRAWING

ITEM NO.	DESCRIPTION
1	HV TERMINAL CONNECTOR
2	HV BUSHING
3	SECONDARY TERMINAL WITH CABLE BOX
4	GROUND TERMINAL
5	NAME PLATE
6	FLANGE RING HV BUSHING
7	BASE

Rev.No.	Revision Note.	Drawn	Check	Approved
DESIGNED	NAME	DATE	DWG. OVT301106300 Work.	
CHECK				
APPROVED				
DIMENSION IN MILLITER			TITLE OUTLINE DIMENSION 24 kV VOLTAGE TRANSFORMER	
WEIGHT: 45 Kg		SCALE:	QTY.....เครื่อง SHEET 1 OF 1	