



# **SPECIFICATION**

## **Current Transformer**

**24000 V. 200/5 A**

**30 VA. 50 Hz. CL 0.5**

ASIATRAFO CO.,LTD.

---

88/99 หมู่ 12 ซ. สุนทรวิภาต ถ.บางพลี - ตำบล ต.บางปลา อ.บางพลี จ.สมุทรปราการ 10540 Tel. (02) 707-7940-2 Fax. (02) 707-7943

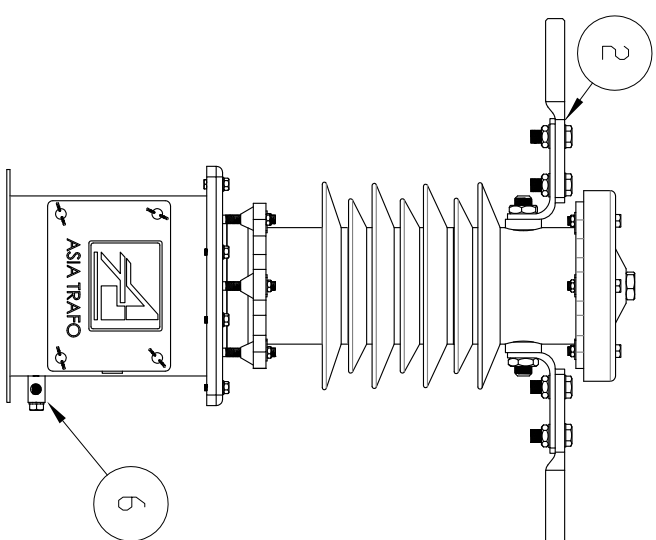
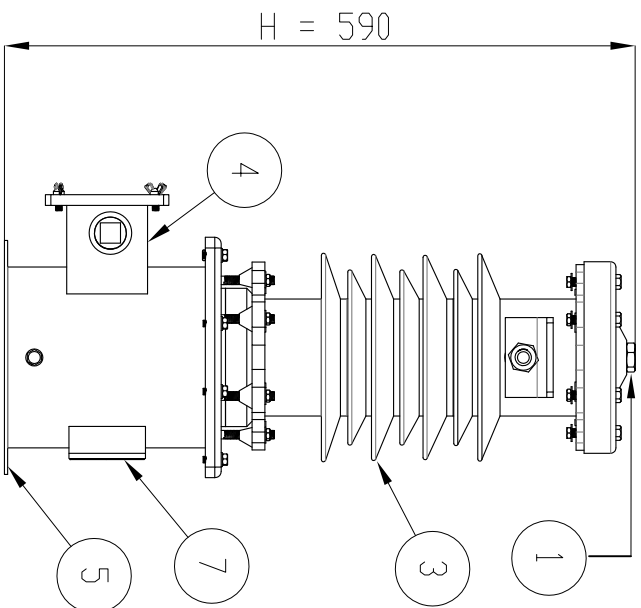
88/99 Moo.12 Soi sunthonwipark Bangplee -tumroo Road Bangpra Bangplee samuthprakarn 10540 Tel. (02) 707-7940-2 Fax. (02) 707-7943



# ASIA TRAFICO CO.,LTD

## Specifications of Oil Immersed Current Transformer

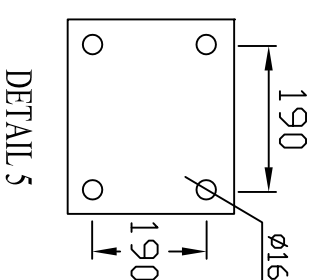
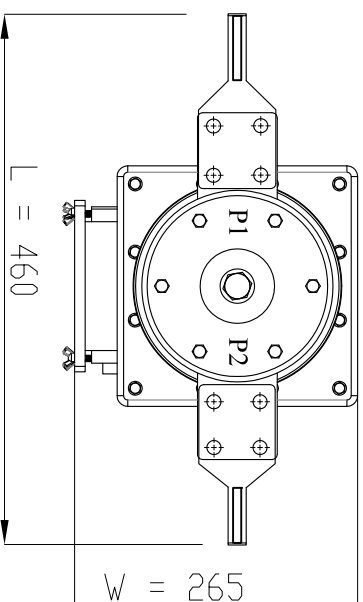
Make and country of origin	ASIA TRAFICO CO.,LTD / Thailand	
Product type / Model	Outdoor Installation , Oil Immersed Type CTASIA-24/ OCT417404300	
Manufacturer's name and technical data of insulator	Hunan Liling Wantong Electrical Ceramics Manufacturing Co.,Ltd /China In accordance with the latest IEC233	
Reference Standard	IEC 61869-2 (Refer IEC 60044-1)	
Rated voltage	kV.	24
Rated current		
: Primary	A.	200
: Secondary	A.	5
Rated frequency	Hz.	50
Polarity	Subtractive	
Rated Output	VA.	Burden 30 VA
Limits of error	According IEC 61869-2	
Accuracy Class	0.5	
Instrument security factor (FS)	Fs < 5	
One-minute power frequency withstand voltage, on		
: Primary winding	kV(r.m.s.)	50
: Secondary winding	kV(r.m.s.)	3
Impulse withstand voltage	kV(peak)	125
Rated short-time thermal current( I <sub>th</sub> ), 1 s	kA	0.1 x I <sub>n</sub> or Max 25 kA
Rated dynamic current ( I <sub>dyn</sub> )	kA	2.5 x I <sub>th</sub>
Rated continuous thermal current	A.	1.2 x I <sub>n</sub>
Insulation class	degree C	105
Maximum temperature rise of winding	K	60
Maximum ambient temperature	degree C	40
Relative humidity	%	100
Primary terminal connector	NEMA / 4 holes	
Secondary terminal connector	Stud Type / M6	
Earth Terminal	for 35-50 mm <sup>2</sup> ACSR Conductor.	
Creepage distance ( minimum )	mm.	600
Total Weight	kg.	≤ 55
Routine tests	According IEC 61869-2	
Over All Dimensions	See Attached Drawing	



RATING CURRENT	CONDUCTOR SIZE
200 A. TO 300 A.	95 - 185 mm <sup>2</sup>
400 A.	185 - 400 mm <sup>2</sup>

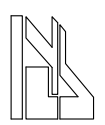
**NOTE**  
ALL TOLERANCE DIMENSION IF NOT SPECIFIED ARE ± 10

**PRELIMINARY DRAWING**



ITEM NO.	DESCRIPTION
1	OIL FILLING PLUG
2	HV TERMINAL CONNECTOR
3	HV BUSHING
4	SECONDARY TERMINAL BOX
5	BASE
6	GROUND TERMINAL
7	NAME PLATE

Rev.No.	NAME	DATE	Revision Note.
DESIGNED	CHECK	APPROVED	


**บริษัท เอเชีย ทรานส์ ฟอ กอท จำกัด**  
**ASIA TRAFKO CO., LTD**  
 OUTLINE DIMENSION  
 24 KV CURRENT TRANSFORMER (TYPE 200 / 5 A)

DWG. **OCT417404300**  
 Work.  
 QTY ..... 10701

1	2			WEIGHT: 38 Kg	SCALE:	SHEET 1 OF 1
---	---	--	--	---------------	--------	--------------