



SPECIFICATION

Current Transformer

24000 V. 20/5 A

30 VA. 50 Hz. CL 0.5

ASIATRAFO CO.,LTD.

88/99 หมู่ 12 ซ. สุนทรวินิภาต ถ.บางพลี - ตำหนุ ต.บางปลา อ.บางพลี จ.สมุทรปราการ 10540 Tel. (02) 707-7940-2 Fax. (02) 707-7943

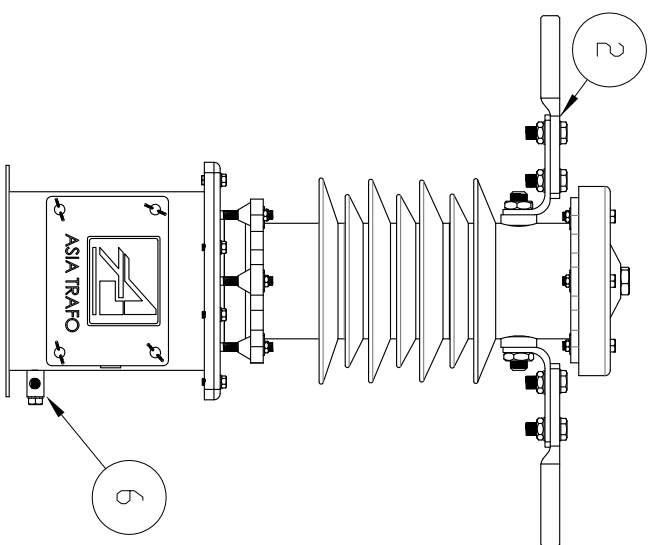
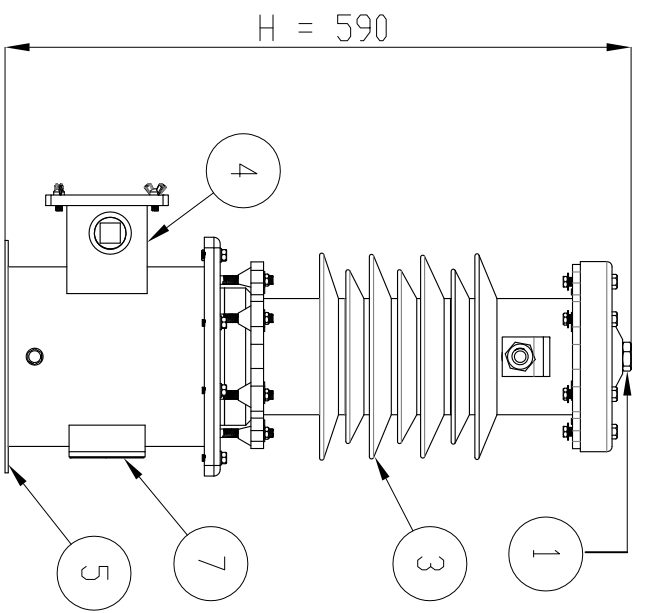
88/99 Moo.12 Soi sunthonwipark Bangplee -tumroo Road Bangpra Bangplee samuthprakarn 10540 Tel. (02) 707-7940-2 Fax. (02) 707-7943



ASIA TRAFICO CO.,LTD

Specifications of Oil Immersed Current Transformer

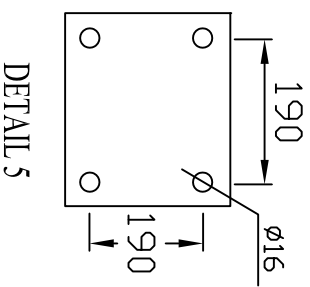
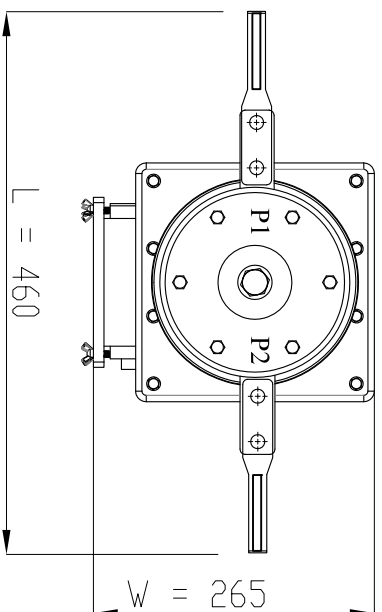
Make and country of origin	ASIA TRAFICO CO.,LTD / Thailand	
Product type / Model	Outdoor Installation , Oil Immersed Type CTASIA-24/ OCT411404300	
Manufacturer's name and technical data of insulator	Hunan Liling Wantong Electrical Ceramics Manufacturing Co.,Ltd /China In accordance with the latest IEC233	
Reference Standard	IEC 61869-2 (Refer IEC 60044-1)	
Rated voltage	kV.	24
Rated current		
: Primary	A.	20
: Secondary	A.	5
Rated frequency	Hz.	50
Polarity	Subtractive	
Rated Output	VA.	Burden 30 VA
Limits of error	According IEC 61869-2	
Accuracy Class	0.5	
Instrument security factor (FS)	Fs < 5	
One-minute power frequency withstand voltage,on		
: Primary winding	kV(r.m.s.)	50
: Secondary winding	kV(r.m.s.)	3
Impulse withstand voltage	kV(peak)	125
Rated short-time thermal current(I _{th}),1 s	kA	0.1 x I _n
Rated dynamic current (I _{dyn})	kA	2.5 x I _{th}
Rated continuous thermal current	A.	1.2 x I _n
Insulation class	degree C	105
Maximum temperature rise of winding	K	60
Maximum ambient temperature	degree C	40
Relative humidity	%	100
Primary terminal connector	NEMA / 2 holes	
Secondary terminal connector	Stud Type / M6	
Earth Terminal	for 35-50 mm ² ACSR Conductor.	
Creepage distance (minimum)	mm.	600
Total Weight	kg.	≤ 55
Routine tests	According IEC 61869-2	
Over All Dimensions	See Attached Drawing	



RATING CURRENT	CONDUCTOR SIZE
10 A. TO 150 A.	50 - 95 mm ² .

NOTE
ALL TOLERANCE DIMENSION IF NOT SPECIFIED ARE ± 10

PRELIMINARY DRAWING



ITEM NO.	DESCRIPTION
1	OIL FILLING PLUG
2	HV TERMINAL CONNECTOR
3	HV BUSHING
4	SECONDARY TERMINAL BOX
5	BASE
6	GROUND TERMINAL
7	NAME PLATE

Rev.No.	NAME	DATE	Revision Note.
—	—	—	—

DESIGNED
CHECK
APPROVED

บริษัท เอเชีย ทราฟ จำกัด
ASIA TRAFKO CO., LTD

TITLE
OUTLINE DIMENSION
24 KV CURRENT TRANSFORMER (TYPE 20 / 5 A)

Check
Approved

DWG. **OCT411404300**

Work.

QTY 1000

A4

1	2	3	4	5	6
---	---	---	---	---	---